

Sheet: digital

D5V  
DGND  
D3.3V  
A5V  
AGND  
SO\_R  
SO\_L

File: digital.sch

Sheet: power

D5V  
DGND  
D3.3V  
A5V  
AGND

File: power.sch

Sheet: analog

SO\_R  
SO\_L  
A5V  
AGND

File: analog.sch

yachiyo

Sheet: /  
File: udpl\_mother.sch

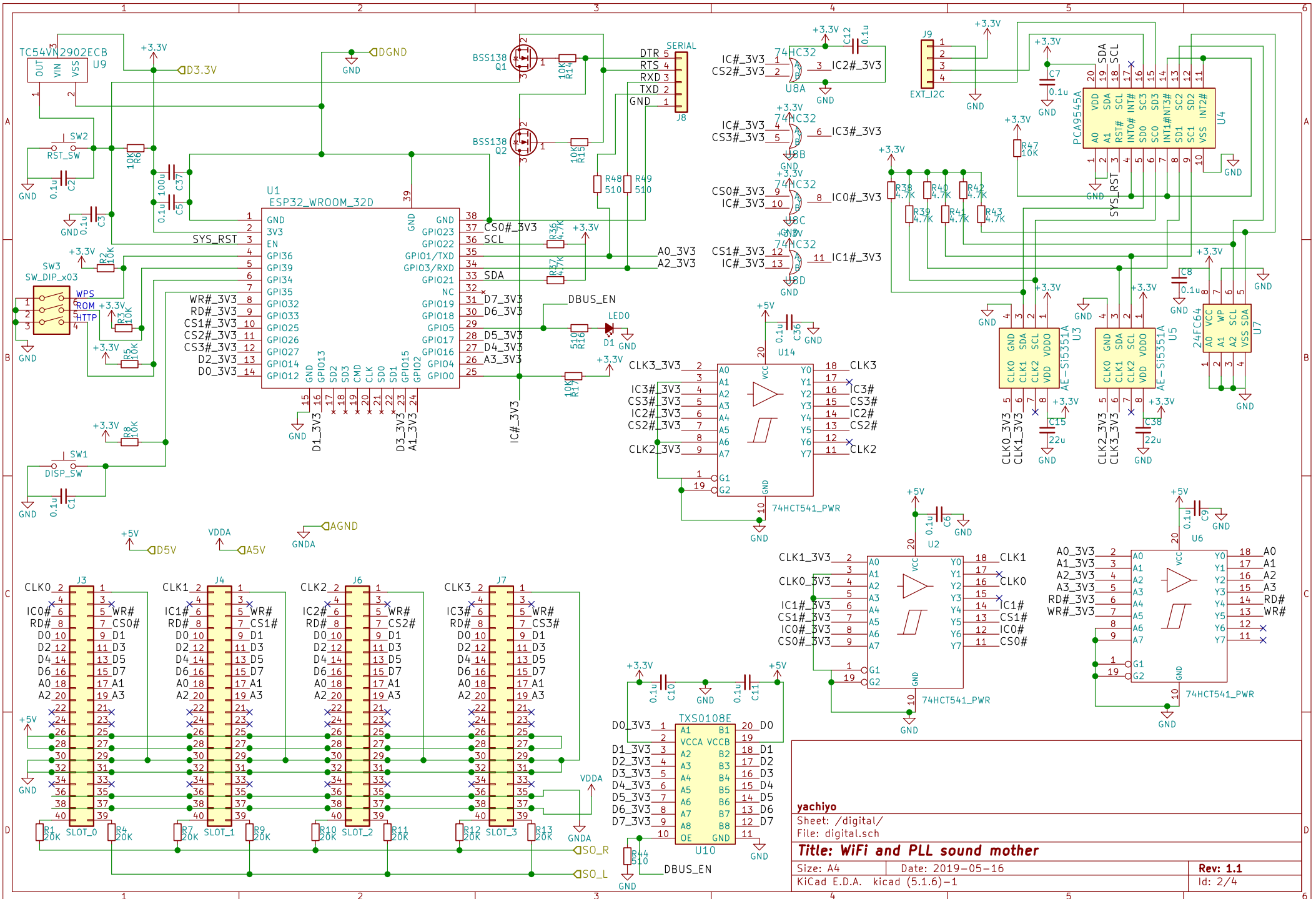
**Title: WiFi and PLL sound mother**

Size: A4 Date: 2019-05-16

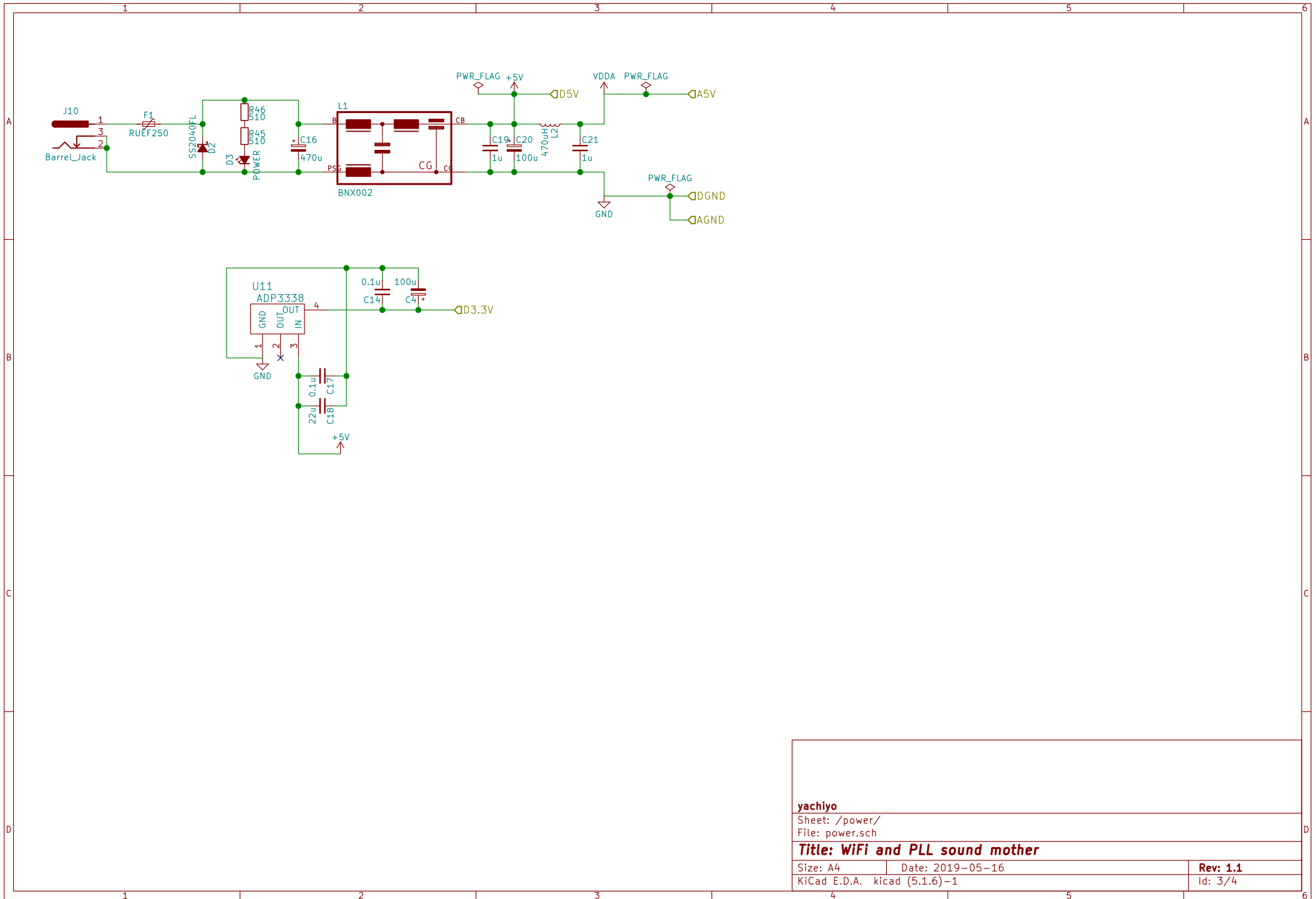
KiCad E.D.A. kicad (5.1.6)-1

Rev: 1.1

Id: 1/4



<b>yachiyo</b>	
Sheet: /digital/ File: digital.sch	
<b>Title: WiFi and PLL sound mother</b>	
Size: A4	Date: 2019-05-16
KiCad E.D.A. kicad (5.1.6)-1	Rev: 1.1 Id: 2/4



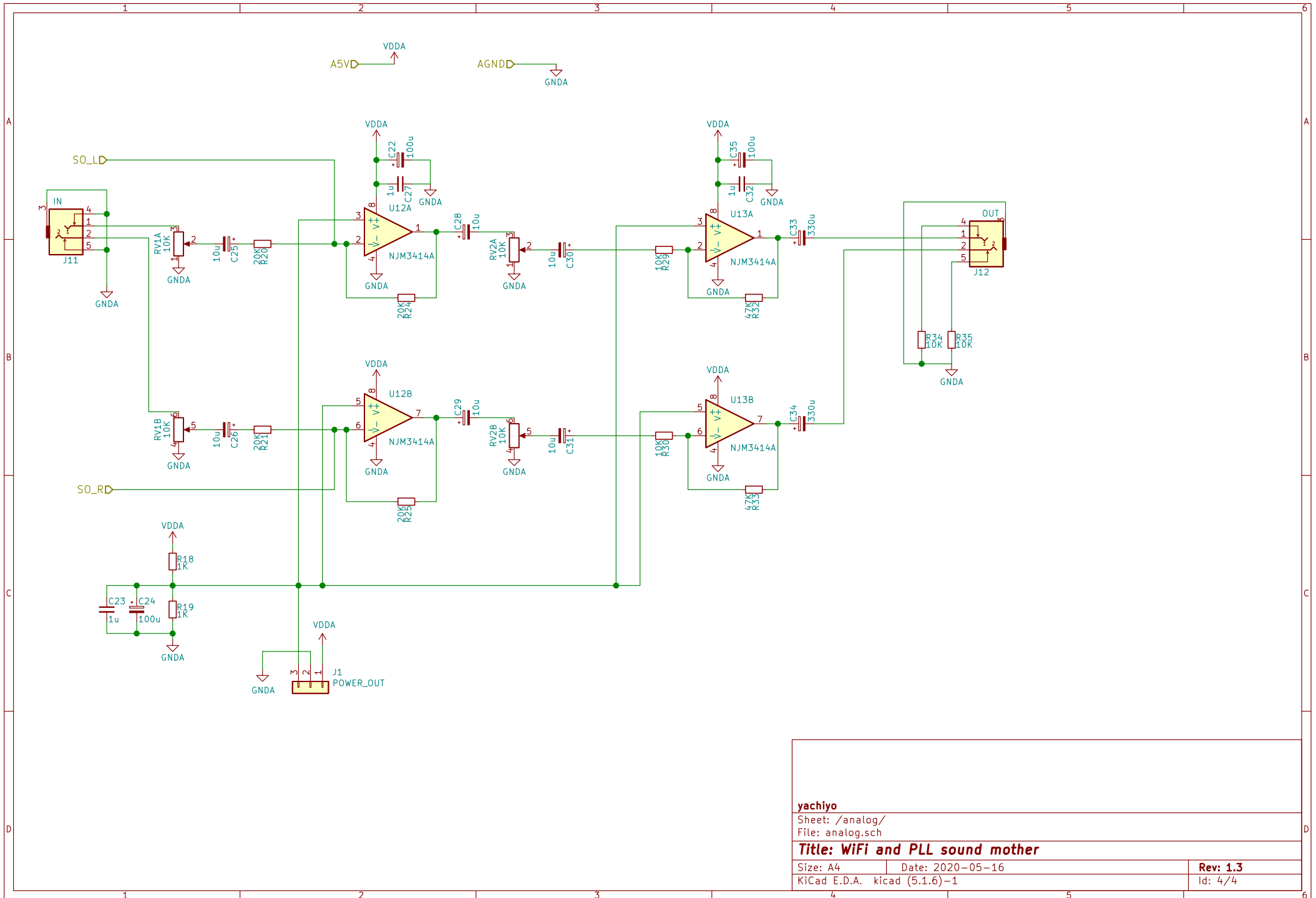
yachiyo

Sheet: /power/  
File: power.sch

**Title: WiFi and PLL sound mother**

Size: A4 Date: 2019-05-16  
KiCad E.D.A. kicad (5.1.6)-1

Rev: 1.1  
Id: 3/4



yachiyo

Sheet: /analog/  
File: analog.sch

**Title: WiFi and PLL sound mother**

Size: A4 Date: 2020-05-16  
KiCad E.D.A. kicad (5.1.6)-1

**Rev: 1.3**  
Id: 4/4