

Sheet: digital

D5V
DGND
D3.3V
A5V
AGND
SO_R
SO_L

File: digital.sch

Sheet: power

D5V
DGND
D3.3V
A5V
AGND

File: power.sch

Sheet: analog

SO_R
SO_L
A5V
AGND

File: analog.sch

yachiyo

Sheet: /
File: udpl_mother.sch

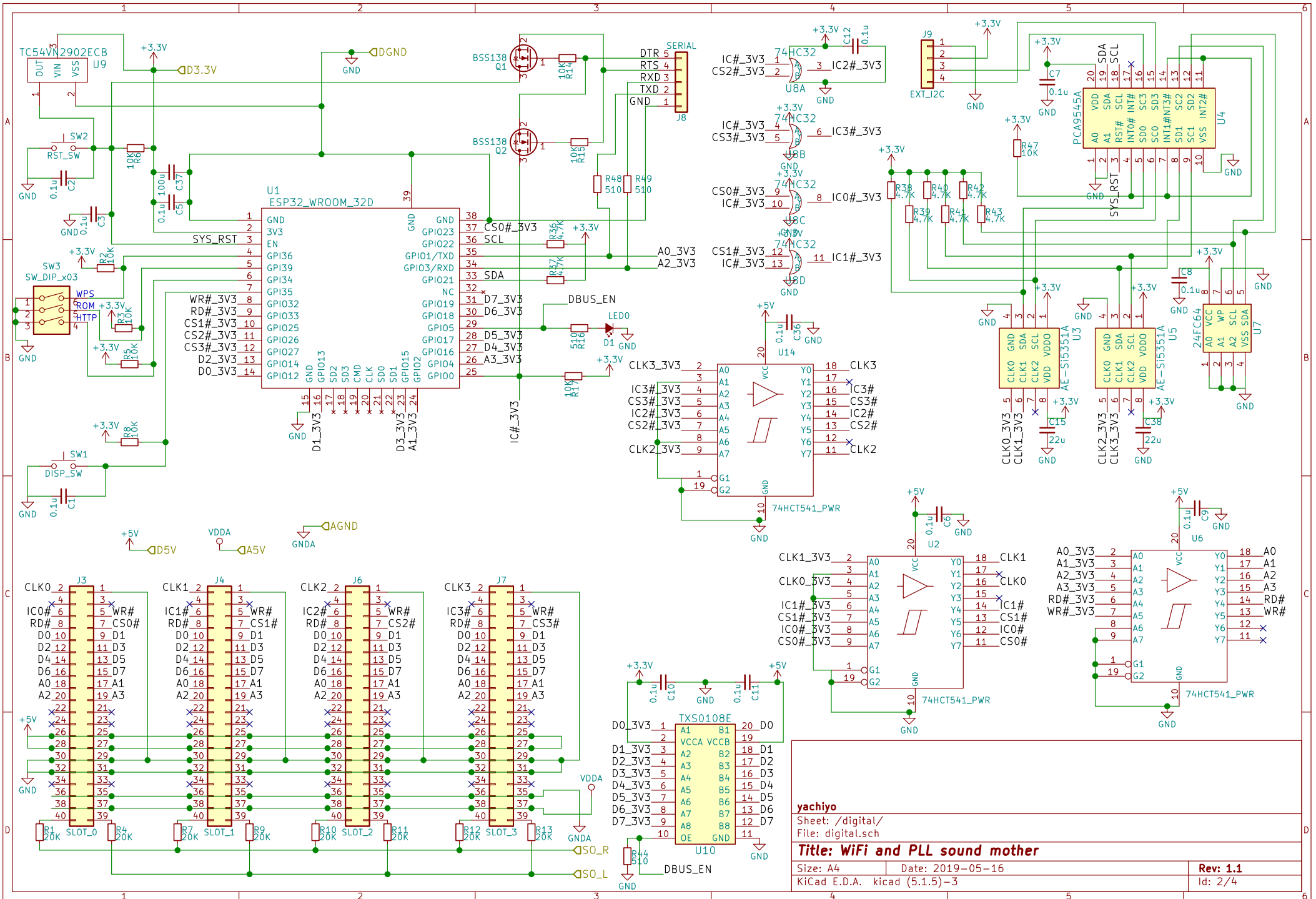
Title: WiFi and PLL sound mother

Size: A4 Date: 2019-05-16

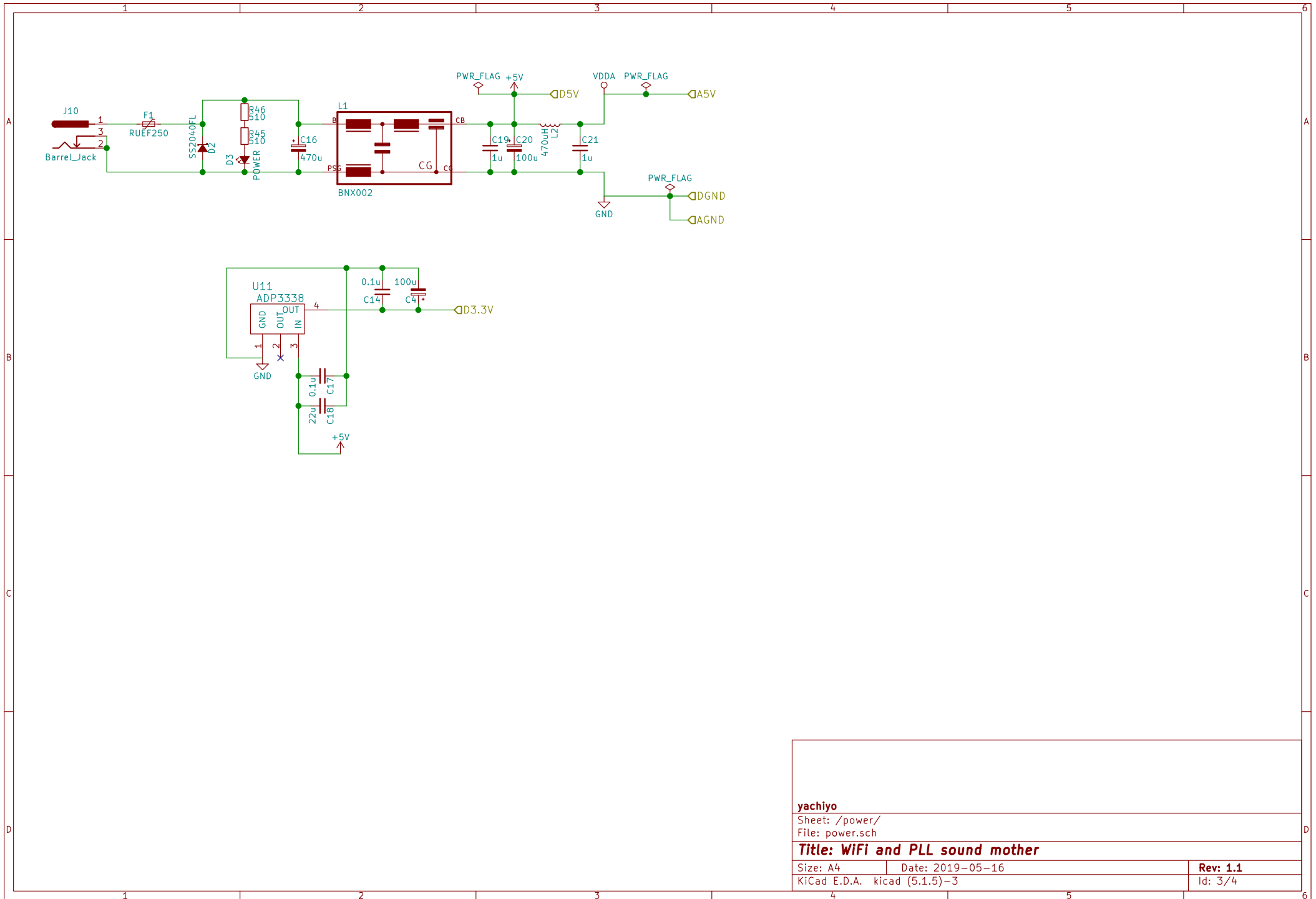
Rev: 1.1

KiCad E.D.A. kicad (5.1.5)-3

Id: 1/4



yachiyo	
Sheet: /digital/ File: digital.sch	
Title: WiFi and PLL sound mother	
Size: A4	Date: 2019-05-16
KiCad E.D.A. kicad (5.1.5)-3	Rev: 1.1 Id: 2/4



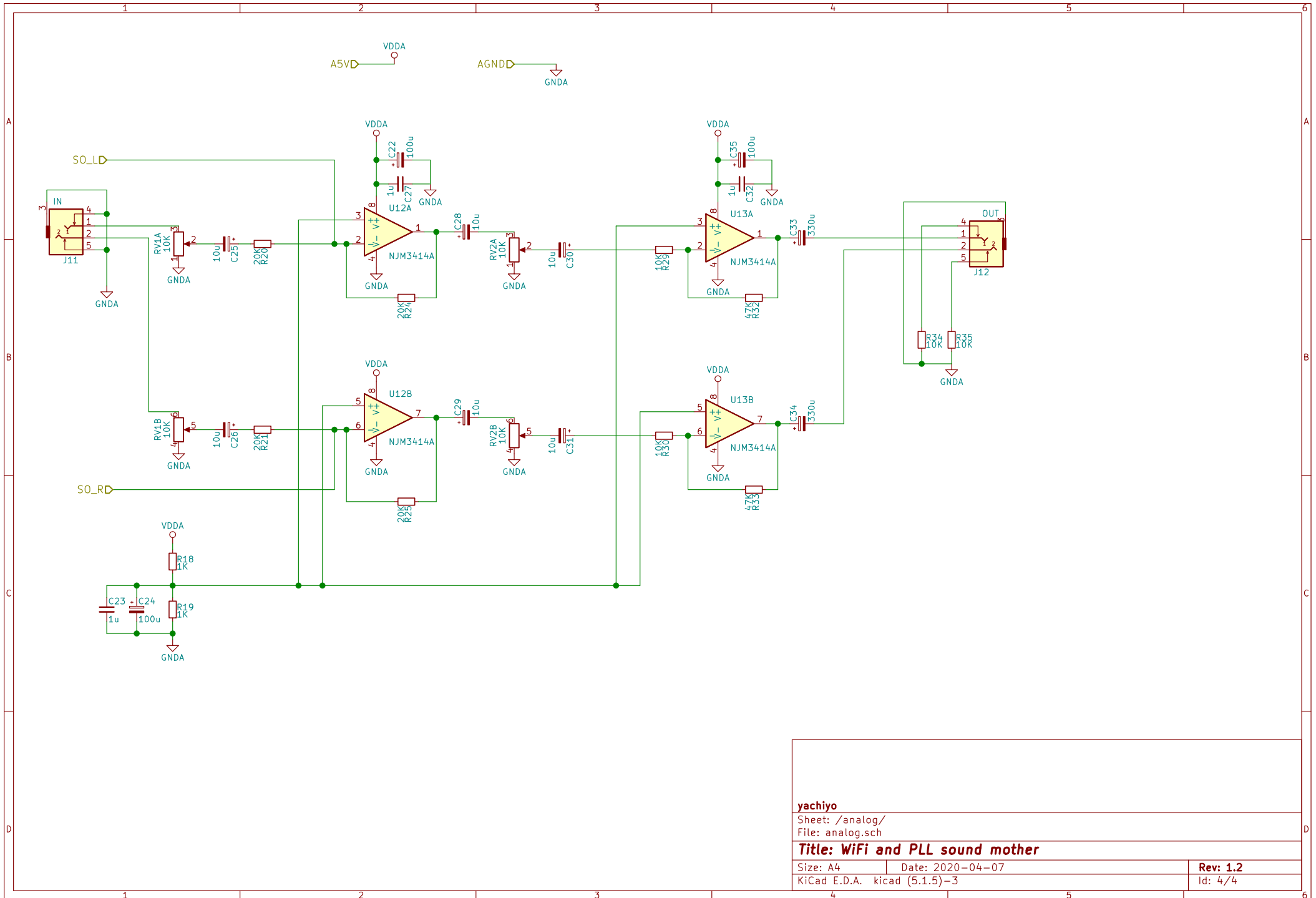
yachiyo

Sheet: /power/
File: power.sch

Title: WiFi and PLL sound mother

Size: A4 Date: 2019-05-16
KiCad E.D.A. kicad (5.1.5)-3

Rev: 1.1
Id: 3/4



yachiyo	
Sheet: /analog/	
File: analog.sch	
Title: WiFi and PLL sound mother	
Size: A4	Date: 2020-04-07
KiCad E.D.A. kicad (5.1.5)-3	Rev: 1.2
	Id: 4/4